

AER

Control Systems

90 River Street • New Haven, CT 06513 • local: 203-772-4700 • toll free: 866-265-2372 • fax: 203-772-0020 • www.aercontrolsystems.com



Extraction Arm

AER

Control Systems^{LLC}

Extraction Arms

866.265.2372

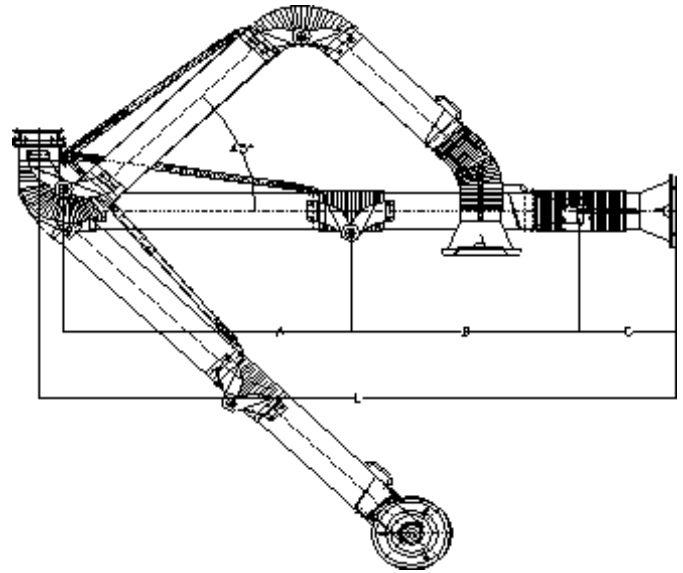
www.aercontrolsystems.com

mail@aercontrolsystems.com

AER Control Systems' Extraction Arms are designed to effectively remove particulate from the air from a variety of manufacturing and process applications.

Our extraction arm offers an ideal solution for removal of dust, smoke, and fume. The hood on the arm can be positioned to extract the dirty air from the workspace right at the source. The arm is available with an optional high efficiency blower mounted to the top of a wall mount bracket on the arm. Mounting configurations include ceiling mount, wall mount, overhead collector mount, or standard mount. The arms can also be ducted to a remote collector.

Standard arms are available in 6 and 8 inch diameters, 10 and 14 feet lengths. The arms are configured as either an overhead mount (hanging from above) or as a standard mount (base is supported from underneath).



Type	A (inches)	B (inches)	C (inches)	L (inches)
6" x 10'	47.63	38.18	16.14	106.29
6" x 14'	59.44	49.21	16.14	129.13

Arm Size	CFM	Fan Static Pressure (in W.C.)	Blower HP	Arm Pressure Drop (in W.C.)
6" Arm	700	6 inches	1 HP	1.2
8" Arm	950	7.5 inches	2 HP	1.8
8" Arm	1200	10 inches	3 HP	2.7



FEATURES

- Hood Deflector for increased air velocity
- 360 degrees grab around hood
- Extra handle on tube for arm movement
- Damper
- Externally adjusted friction joints
- Smooth tube arm interior for low pressure drop
- Adjustable steel spring
- 360 degrees free rotation swivel base

OPTIONS

- Wall Brackets, other lengths available
- Single and three phase backwards inclined blowers with flanged inlets
- Collar connections for attaching ductwork or flexhose
- 12V light kit with optional step down transformer in an electrical box
- Manual fused protection blower motor on/off power switch
- Control box with magnetic starter to control blower motor via switch on the hood
- Welding arc flash activation hood sensor to control the motor blower
- Other options such as stainless steel and mini vacuum arms